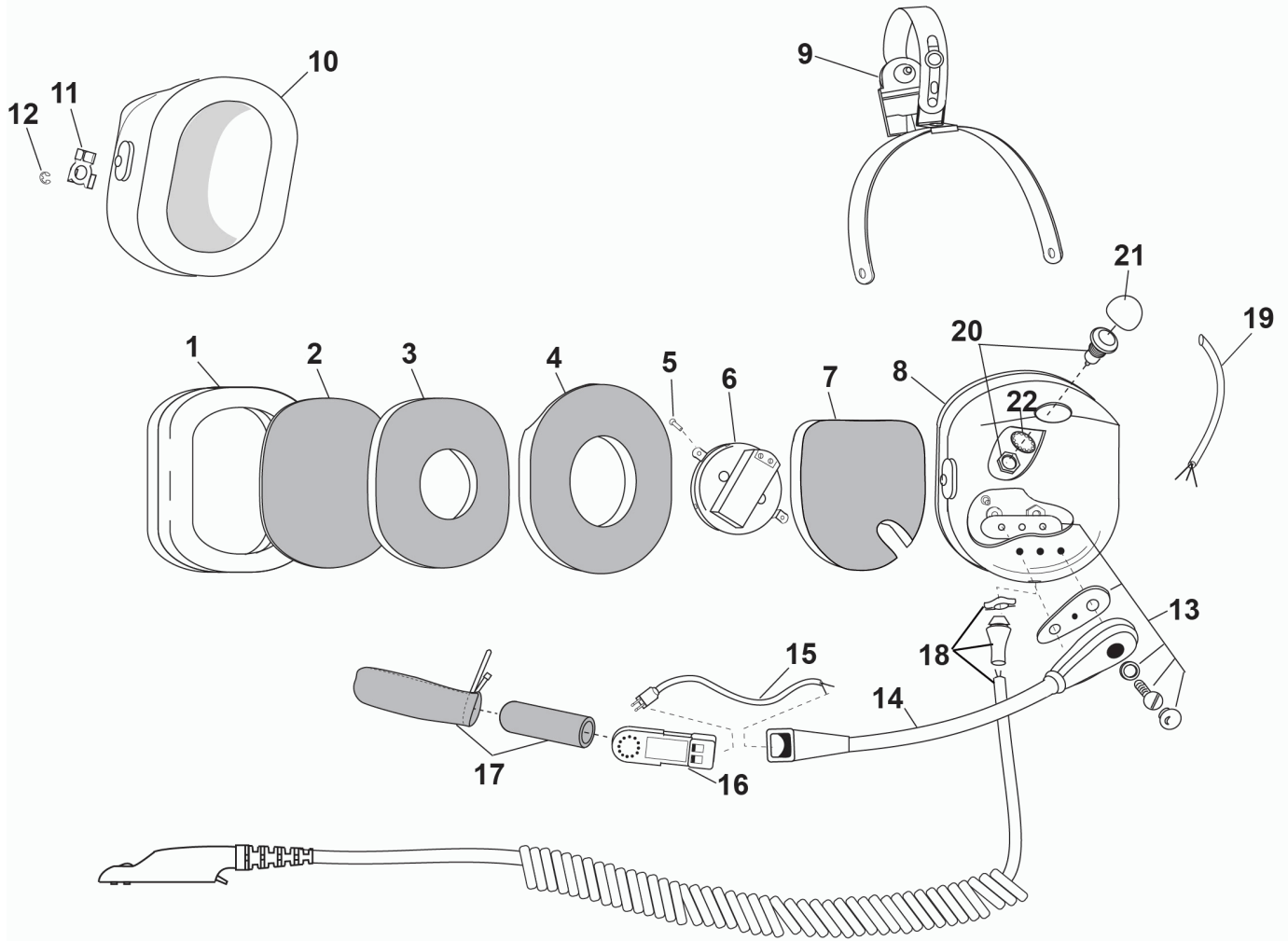


**PARTS LIST  
MODEL H6780-51**



No.	Description	Part No.
1	Undercut Gel Earseal (pair)	40863G-02
2	Filter ( 1 each)	14096P-09
3	Dome Filter (1 each)	14096P-05
4	Filter	25629P-05
5	Screw (10/pk)	00023M-08
6	Earphone Assembly	10476G-02
7	Filter	11410P-02
8	Dome, Drilled, Left	15371P-17
9	Attachment Assembly	18157G-03
10	Dome, Stamped, Right	15371P-18
11	Dome Stop	15097P-01

No.	Description	Part No.
12	Retaining Ring (10/pk)	00009M-03
13	Boom Attachment Kit	12840G-07
14	Flex Boom Assembly	18812G-04
15	Microphone Plug Cord	18744G-01
16	M-77 Electret Mic	09168P-35
17	Mic Protector/Windscreen	41090G-05
18	Comm. Cord Assy Kit	41080G-04
19	Overhead Cord Assembly	22607G-01
20	Switch, Momentary	09851P-51
21	Sealing Boot, PTT Switch	13145P-18
22	Lock Washer (10/pk)	41090G-06

ELECTRICAL SCHEMATIC  
MODEL H6780-51

